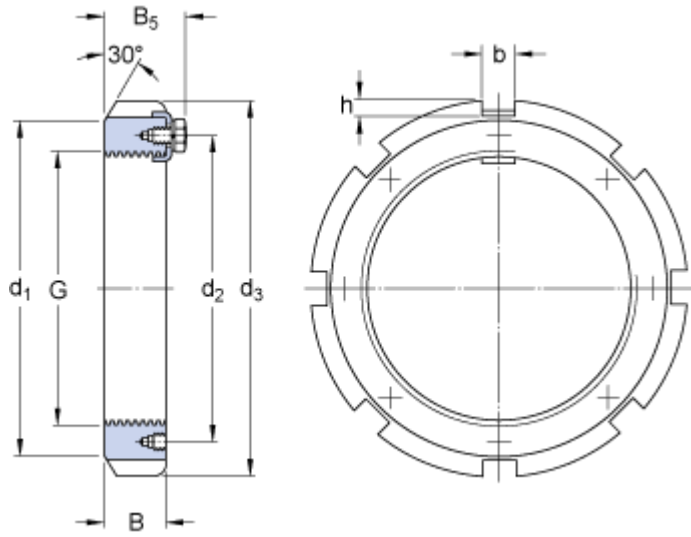


# HM 3064

## Dimensions



G	Tr 320x5	
d <sub>3</sub>	380	mm
B	42	mm
d <sub>1</sub>	356	mm
d <sub>2</sub>	336	mm
B <sub>5</sub>	55	mm
b	24	mm
h	12	mm

## Mass

Mass lock nut	9	kg
---------------	---	----

## Mounting information

Appropriate spanner	TMFN 52-64
---------------------	------------

## Appropriate products

Locking clip	MS 3068-64
--------------	------------